

TELEBELT TB 130 SPECIFICATIONS

Conveyors

Conveyor horizontal reach		
Maximum at 0°	126' 3"	(38.47m)
Maximum at 29°	110' 9"	(33.74m)
Conveyor belt width	18"	(457mm)
Feed conveyor length	38' 0"	(11.60m)
Feed conveyor belt width	18"	(457mm)
Trunk/end hose length	15' 0"	(4.57m)
Discharge height from grade		
Maximum at 30°	68' 3"	(20.81m)
Maximum at -15°	-25' 10"	(-7.86m)
Main & feed conveyors		
Observed capacity at 0°	5.00 yd ³ /min	(4.00m ³ /min)
Observed capacity at 20°	5.00 yd ³ /min	(4.00m ³ /min)

Outriggers

Net reach beyond outriggers —		
at 0°	120' 9"	(36.81m)
at 29°	105' 0"	(31.99m)
Outrigger spread L - R — front	27' 9"	(8.46m)
hydraulic extended out/down		
Outrigger spread L - R — rear	29' 0"	(8.84m)
hydraulic extended out/down		
Outrigger spread front to rear	30' 0"	(9.14m)

General Specifications

Water tank capacity	170 gal	(644L)
Hydraulic oil tank capacity	130 gal	(492L)
with cooler		

Truck Specifications **+

Weight	22,320 lbs	(10,124kg)
Engine horsepower	405 hp	(302kW)
Wheelbase	331"	(8,407mm)
Cab height	104"	(2,642mm)
Steering radius (outside)	45' 6"	(13.87m)
Steering angle	38°	
Fuel tank capacity	80 gal	(303L)
Transmission	Mack T309 9-Speed	

Transport Axle Weights **+

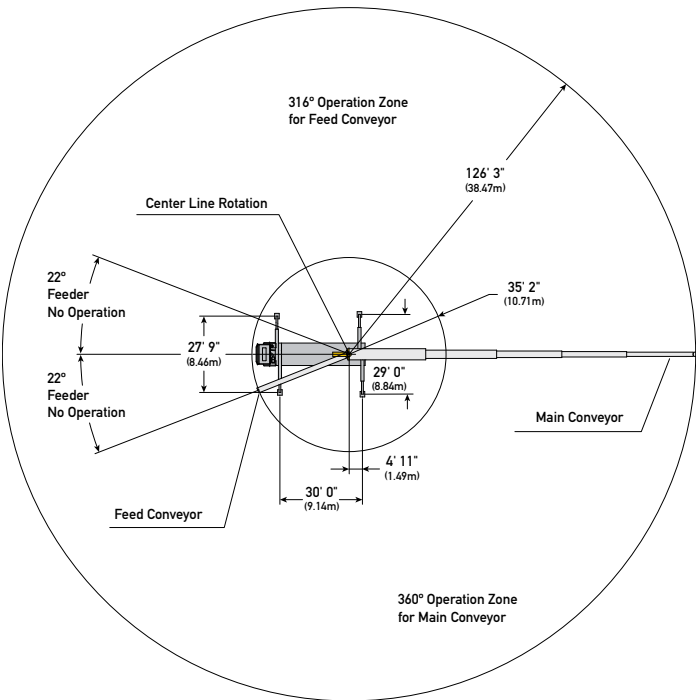
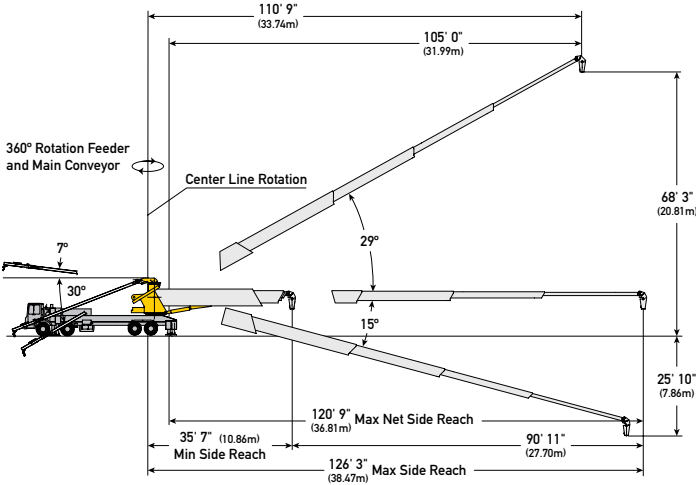
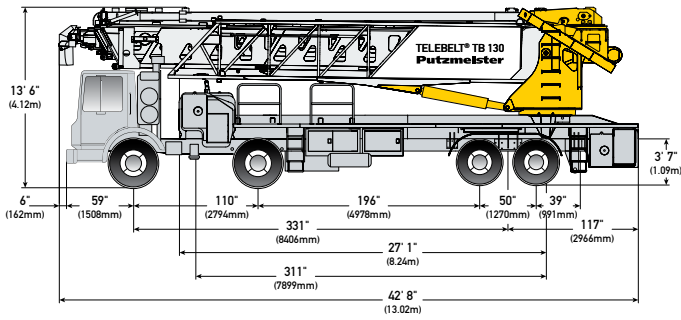
Steering	34,983 lbs	(15,866kg)
Tandem	43,308 lbs	(19,642kg)
Total	78,292 lbs	(35,508kg)

Maximum theoretical values listed.

* Truck dimensions will vary with different truck makes, models and specifications.

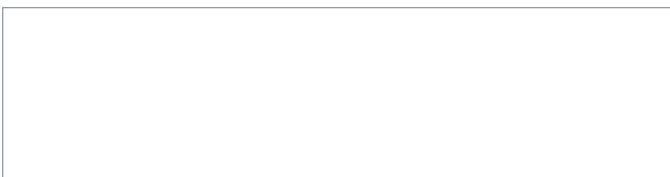
• Weights are approximate and include truck, fuel, and 100 gal (379L) of water.

+ All specifications apply to units mounted on Mack MRU 613.



Photos and drawings are for illustrative purposes only.

Authorized Distributor



Putzmeister America, Inc. Phone (262) 886-3200
 1733 90th Street Toll-free (800) 884-7210
 Sturtevant, WI 53177 USA Fax (262) 884-6338

PutzmeisterAmerica.com

pmr@putzam.com

BT 4653 US



© Putzmeister America, Inc. 2016 Printed in the USA (2.51601)