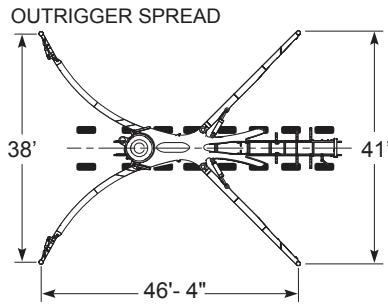
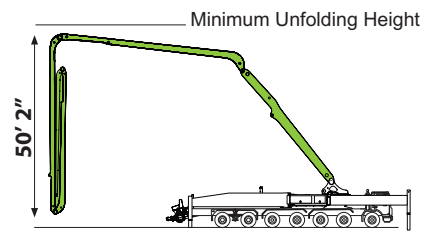
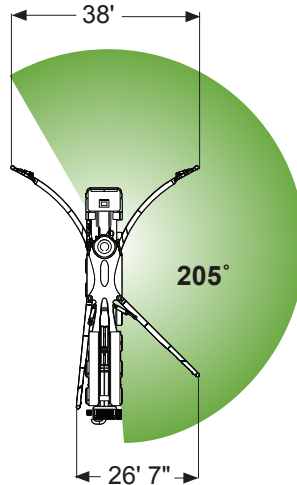
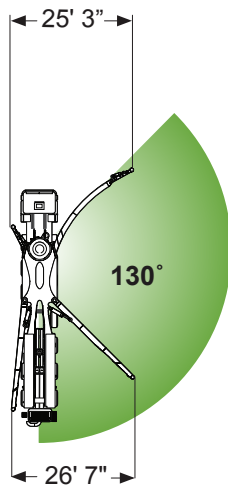
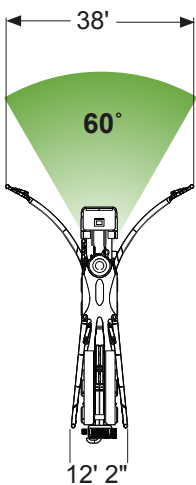


**Job Forward Reach**

Compare this five section boom to any other machine on the market. Schwing® leads with job forward Roll and Fold® articulation that out performs Z booms in all scenarios.



Combine ultimate boom versatility with compact footprint to excel on every job.



**EASyflex**

One sided outrigger system, integrated with Vector Controls. Only from Schwing.